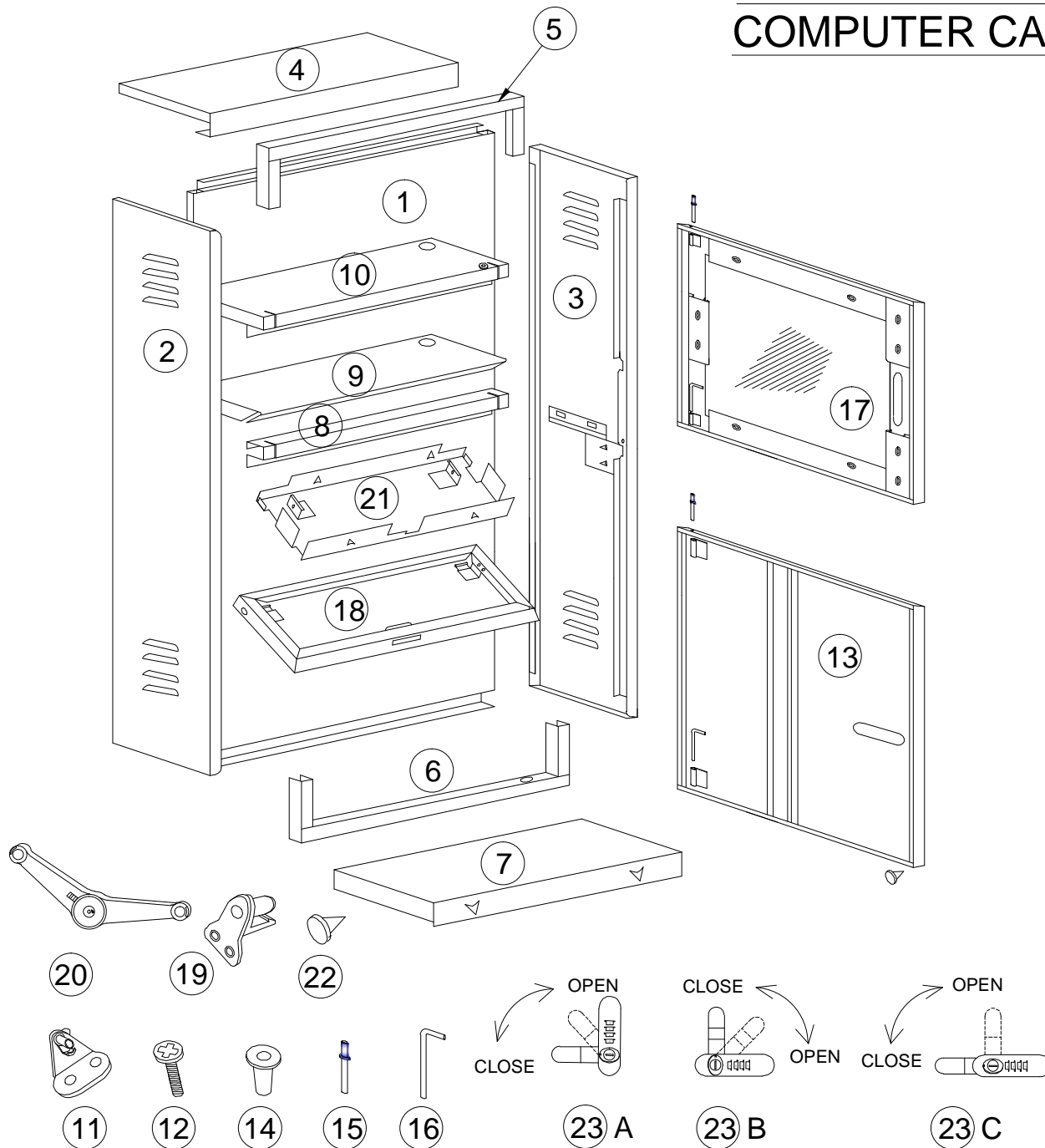
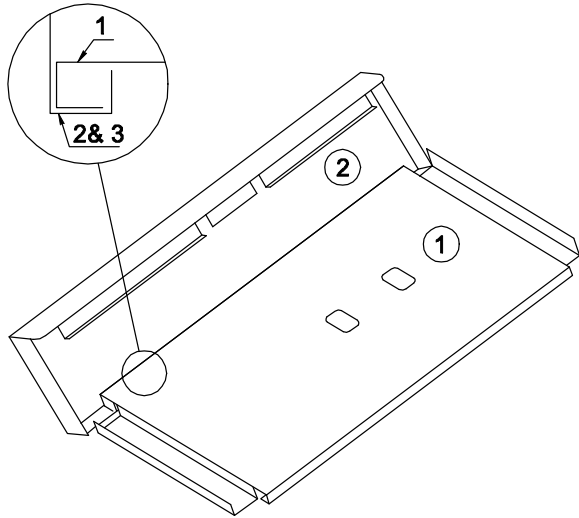


ASSEMBLY INSTRUCTION AND PARTS LIST COMPUTER CABINET

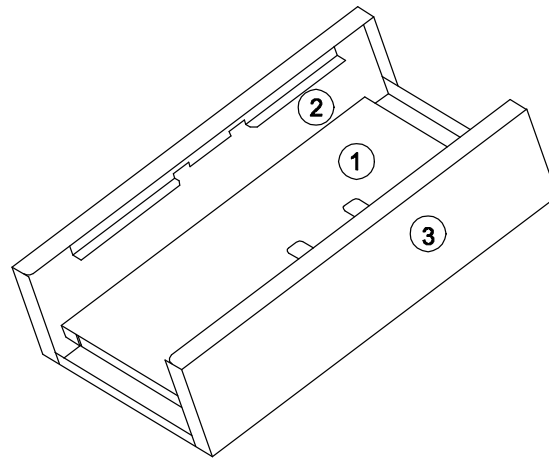
S.No	COMPONENET	QUANTITY
------	------------	----------

1.	BACK	01
2.	LH SIDE	01
3.	RH SIDE	01
4.	TOP	01
5.	TOP "U" FRAME	01
6.	BOTTOM "U" FRAME	01
7.	BOTTOM	01
8.	CROSS BAR	01
9.	SHELF SMALL	01
10.	FIXED SHELF	01
11.	RETAINER BRACKET STRAIGHT	02
12.	BOLTS (M4)	08
13.	BOTTOM DOOR	01
14.	PLASTIC HINGE BUSH	04
15.	TOP HINGE PIN	02
16.	BOTTOM HINGE	04
17.	TOP DOOR	01
18.	CENTER DOOR	01
19.	RETAINER "L"	02
20.	RETAINER	02
21.	DOOR IN.COVER	01
22.	DOOR BANGERS	06
23.A	LOCKS NUMBERS (TOP DOOR)	01
23.B	LOCKS NUMBERS (CENTER DOOR)	01
23.C	LOCKS NUMBERS (BOTTOM DOOR)	01

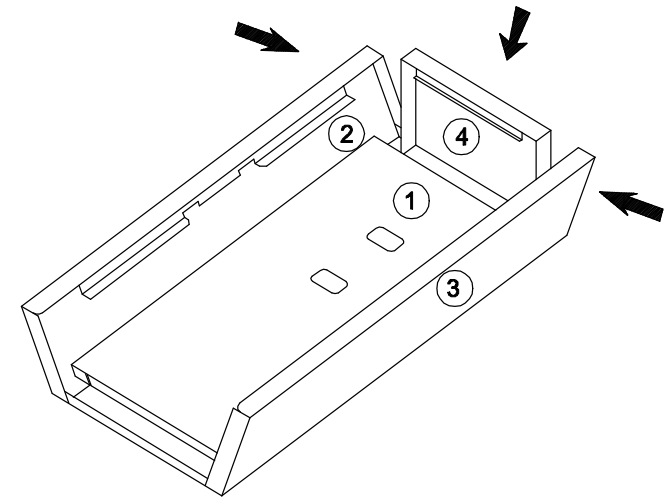




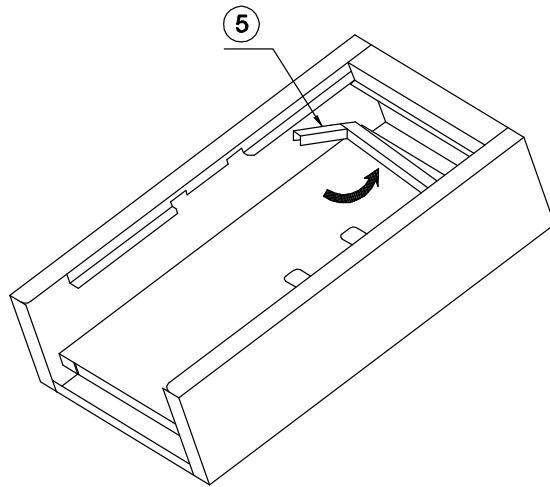
STEP-1



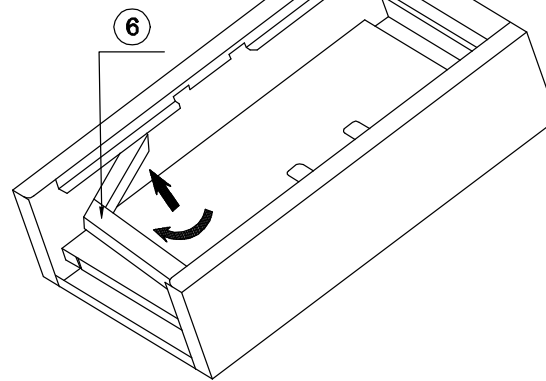
STEP-2



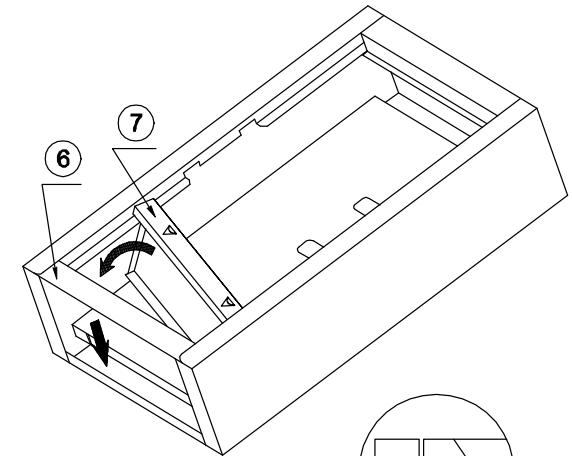
STEP-3



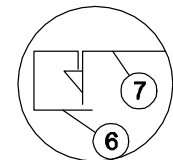
STEP-4

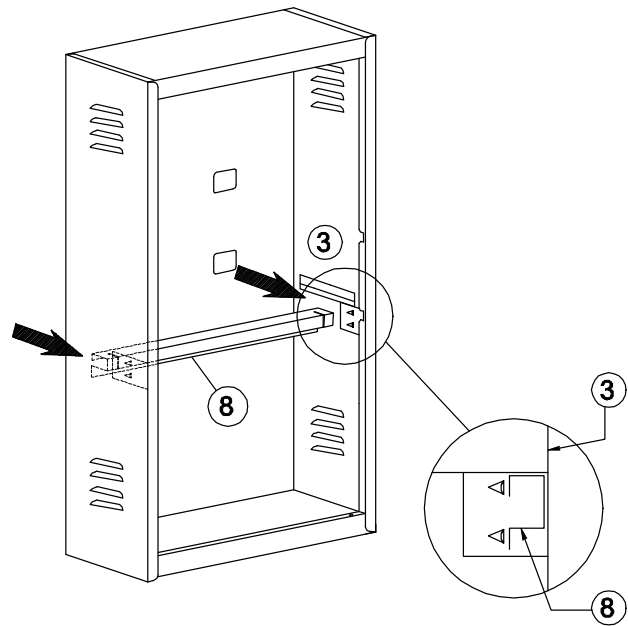


STEP-5

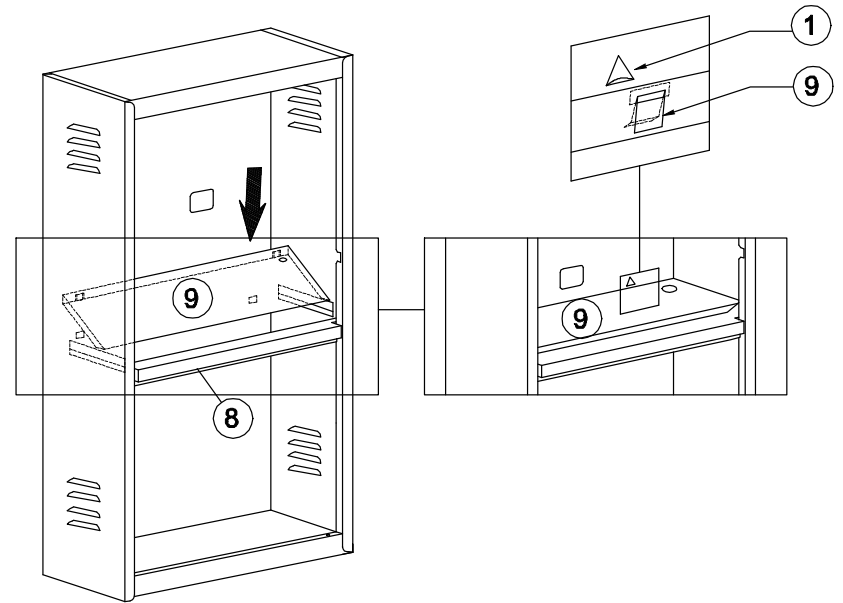


STEP-6

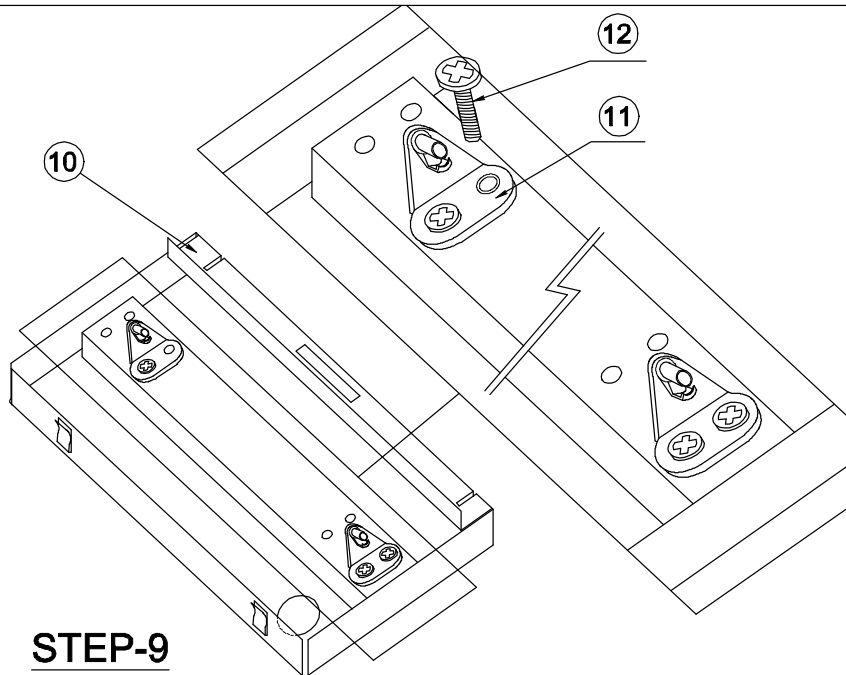




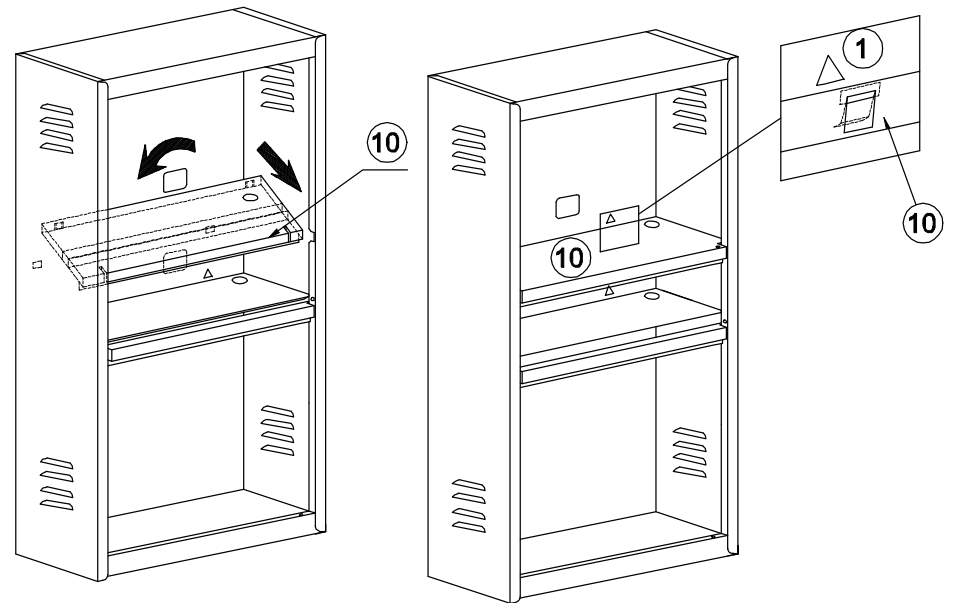
STEP-7



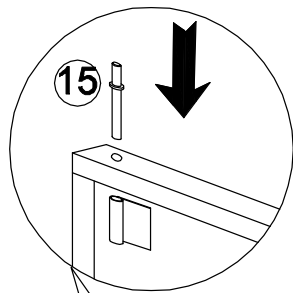
STEP-8



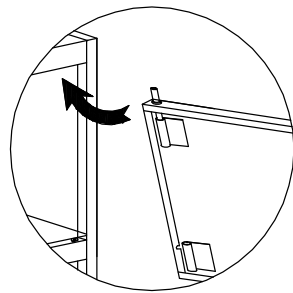
STEP-9



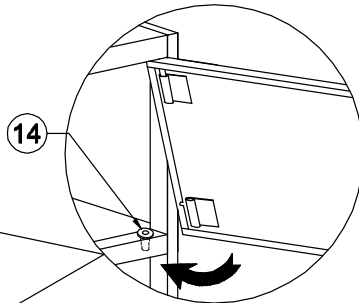
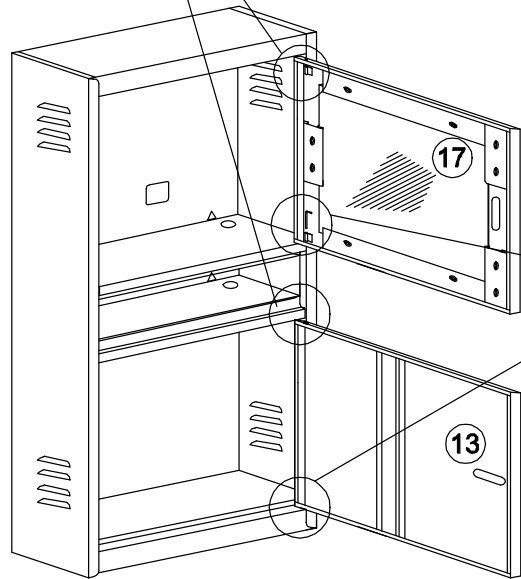
STEP-10



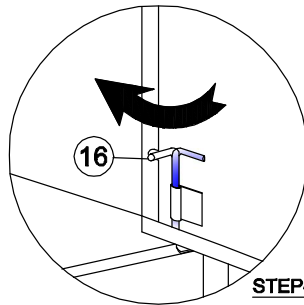
STEP-A



STEP-B

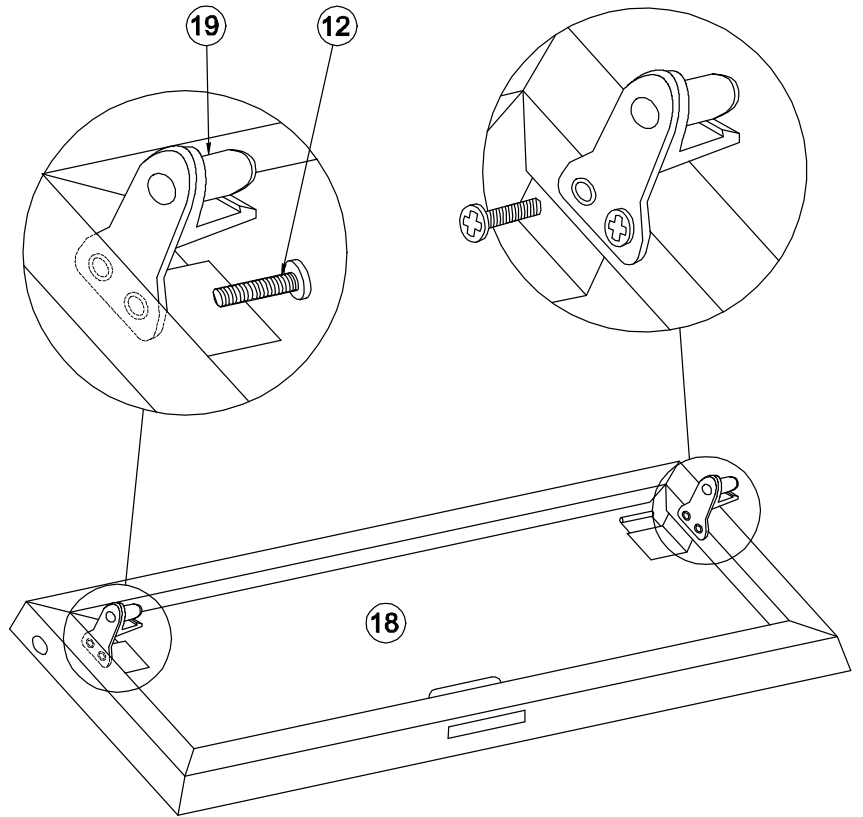


STEP-C

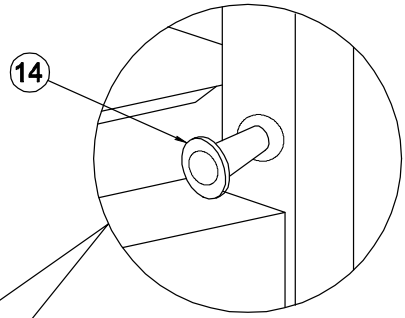
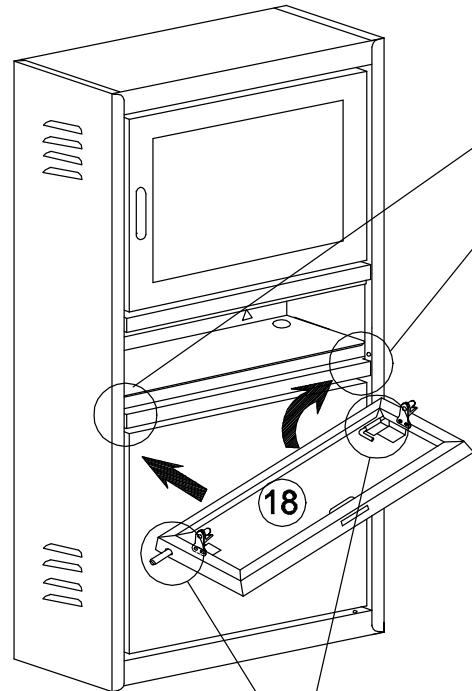


STEP-D

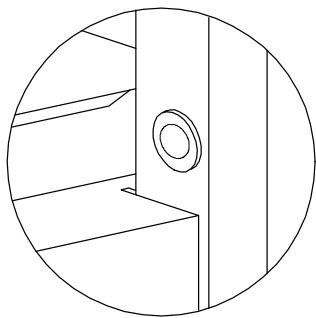
STEP-11



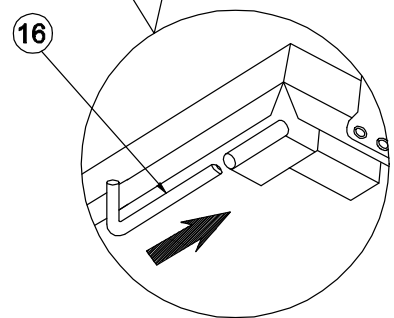
STEP-12



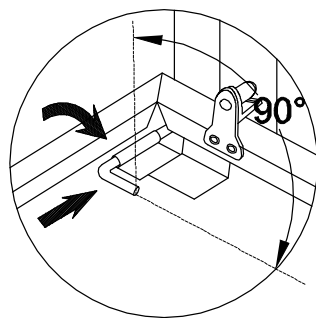
STEP-A



STEP-B

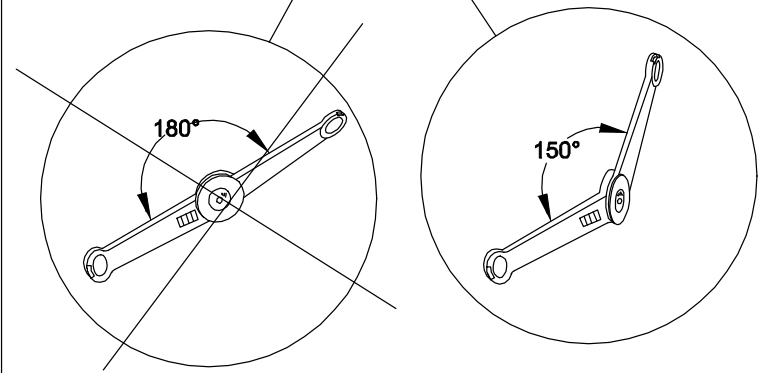
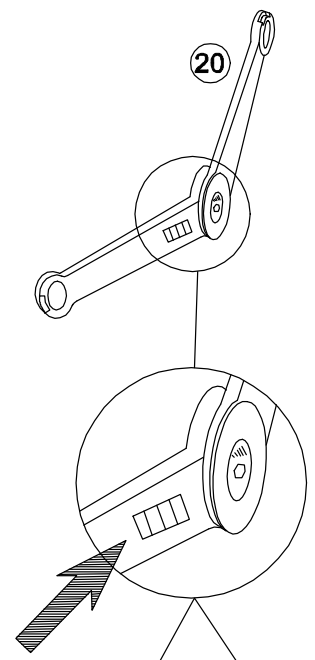


STEP-C

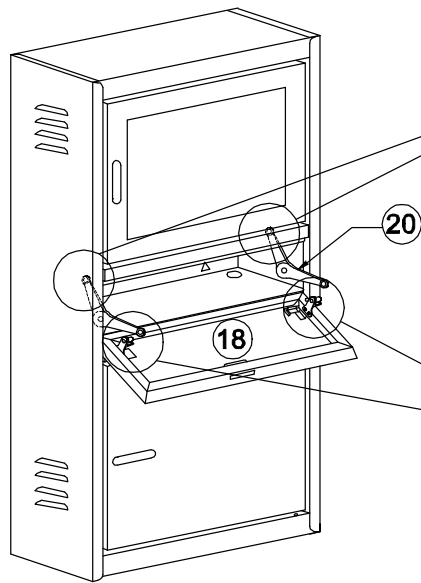


STEP-D

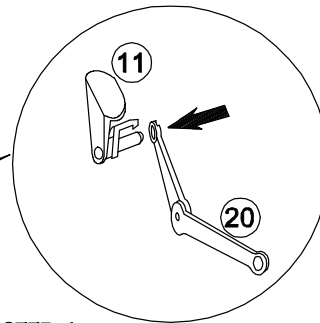
STEP-13



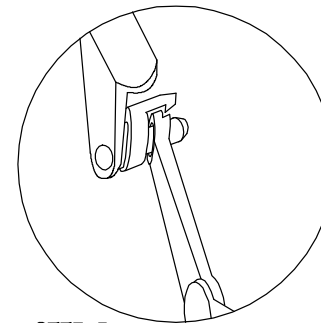
STEP-14



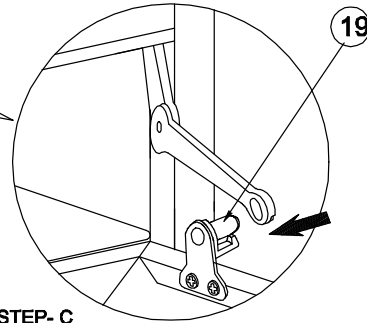
STEP-15



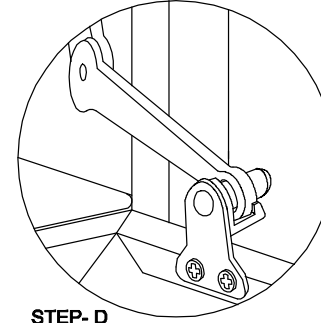
STEP-A



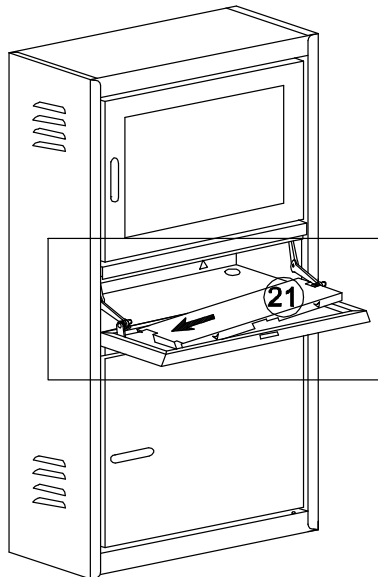
STEP-B



STEP-C

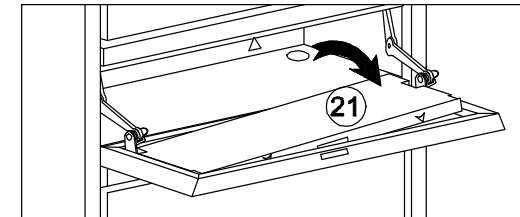
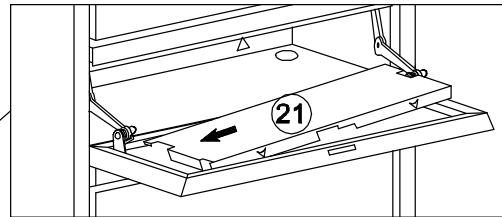


STEP-D



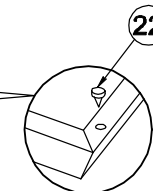
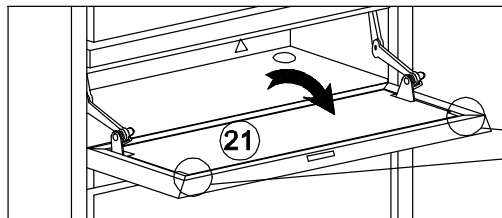
STEP-16

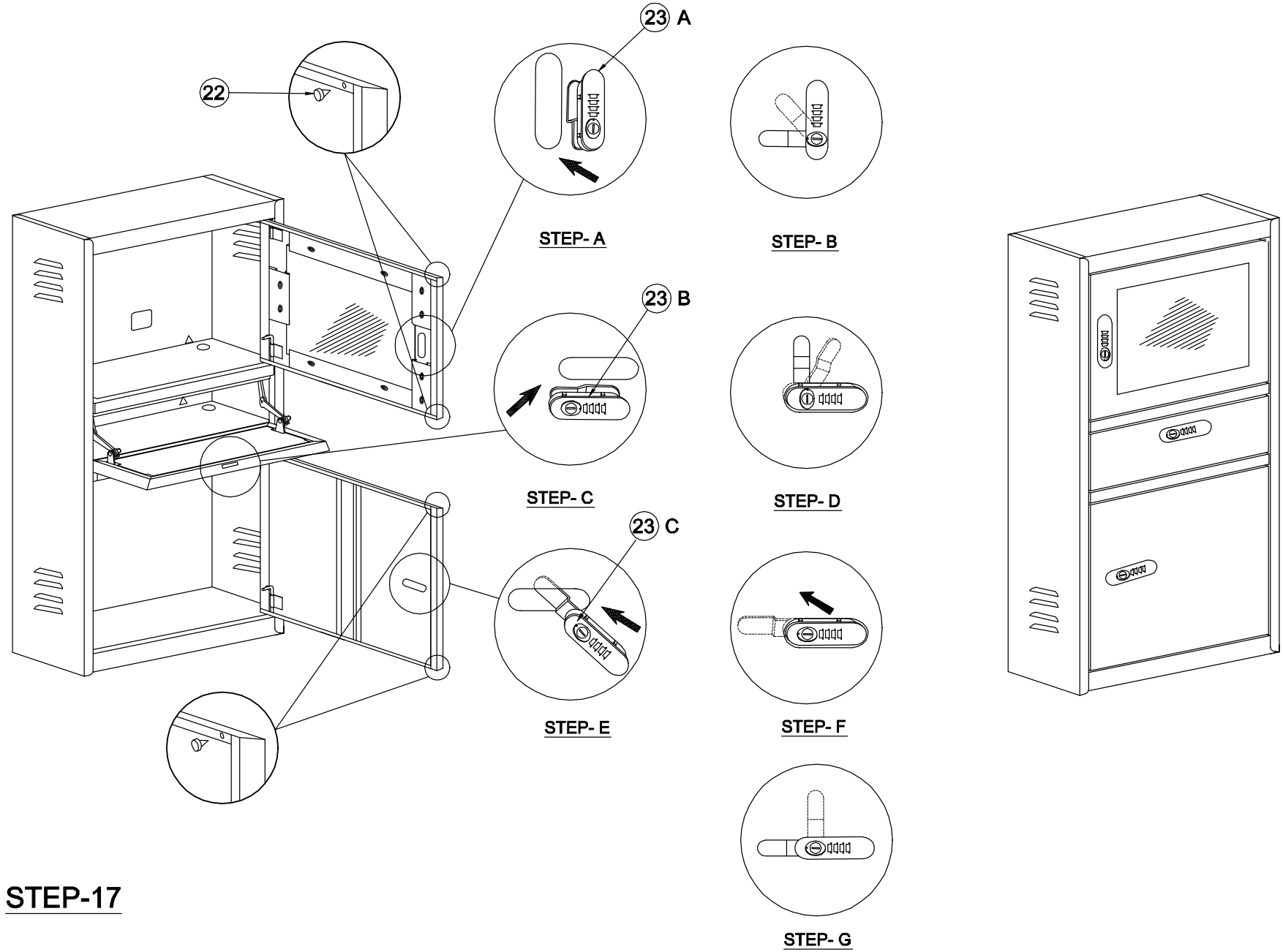
STEP-A



STEP-B

STEP-C





STEP-17